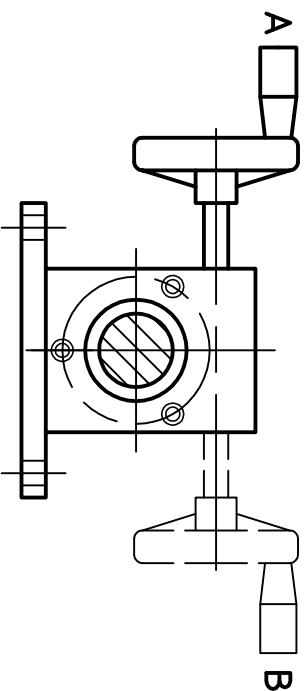
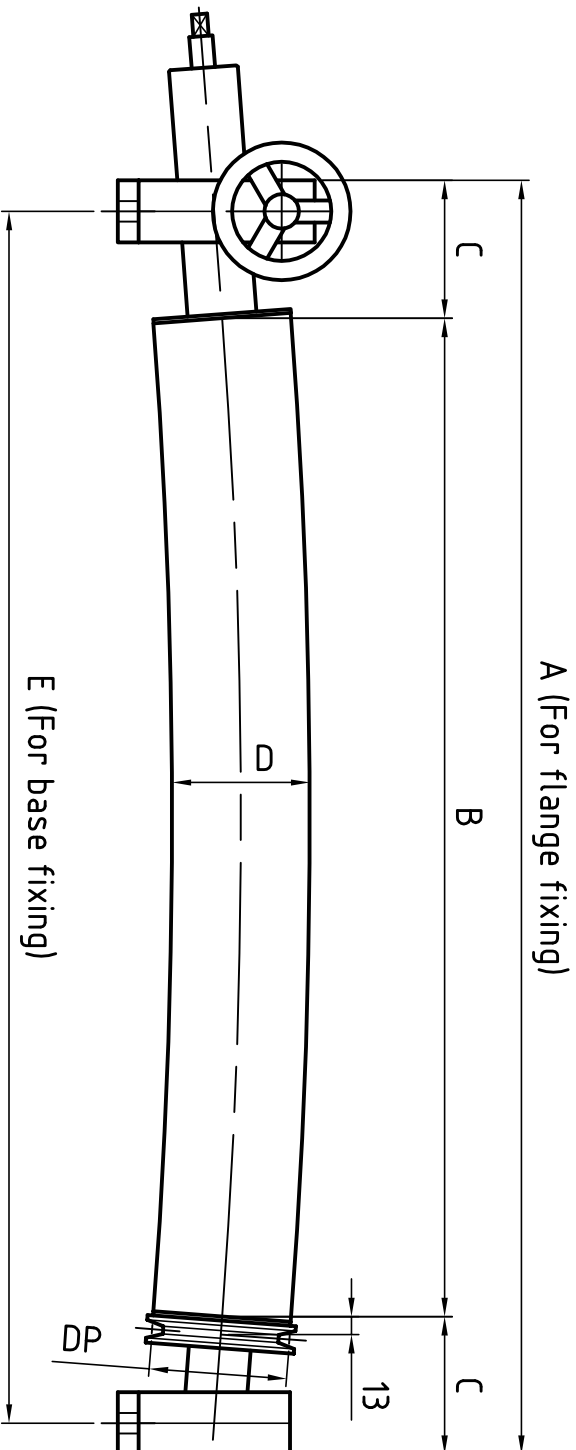


# Offer Form - CGV

Please, fill and send us by FAX or by E-MAIL the following technical form

**SUBJECT:**  
 OFFER REQUEST   
 ORDER ENCLOSURE   
 DATE \_\_\_\_\_

**Company** \_\_\_\_\_  
**Road** \_\_\_\_\_  
**Town** \_\_\_\_\_  
**Ref. Mr.** \_\_\_\_\_  
**Tel. n.** \_\_\_\_\_ **Fax. n.** \_\_\_\_\_  
**E-mail** \_\_\_\_\_



Note: If we don't receive different directions, the roller width will be centered with reference to the measures A and E.

### WORKING DATA

**Type of material** \_\_\_\_\_  
**Maximum web tension** kg. \_\_\_\_\_  
**Winding angle** \_\_\_\_\_  
**Maximum operating speed** \_\_\_\_\_  
**Material temperature** \_\_\_\_\_  
**Environment temperature** \_\_\_\_\_

### CONSTRUCTION DATA

**Supports** YES  NO   
**Support's type** \_\_\_\_\_  
**Handwheel position** A  B   
**Pulley** YES  NO   
**Trapezoidal type**  
 DP. mm. \_\_\_\_\_  
 Sec. type \_\_\_\_\_  
**Round type**  
 DP. mm. \_\_\_\_\_  
 Cord  $\phi$  mm. \_\_\_\_\_  
**Flat type**  
 DP. mm. \_\_\_\_\_  
 Width 23 mm.  
**Rubber type** \_\_\_\_\_  
**Deflection regulation** Manual  Hydraulic   
**N° of pieces** \_\_\_\_\_